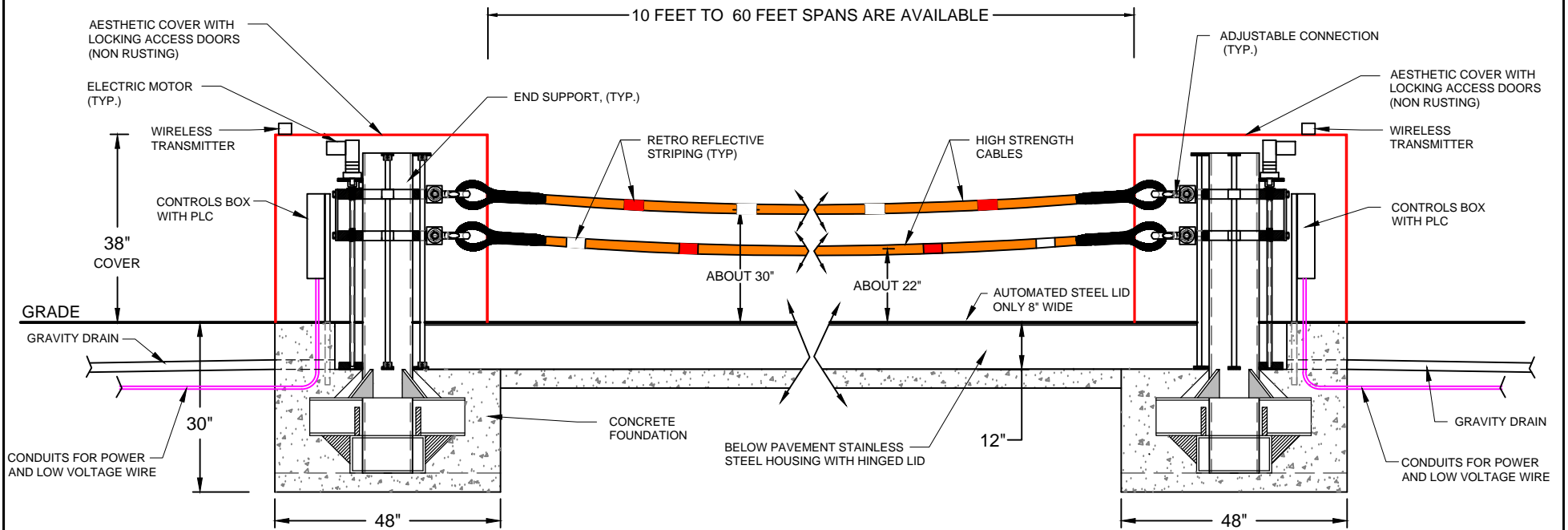


# CROWD PROTECTION BARRIER - GROUND RETRACTABLE MODEL CPB-GR-1200 (AUTOMATED VEHICLE BARRIER)

ASTM F2656-07 M50 P1 (K12) ENGINEERED, STOPS 15,000 LB. TRUCK @ 50 MPH  
 CLEAR SPAN BARRIER LENGTHS FROM 10 FEET TO 60 FEET ACROSS ROADWAYS

ELEVATION VIEW - RAISED POSITION



**KEY CAPABILITIES**

1. MASSIVE STOPPING CAPABILITY.
2. NON-INTRUSIVE SMALL FOOTPRINT WITH AESTHETIC ENCLOSURES.
3. GROUND RETRACTED BARRIER WITH SMALL 8" WIDE CONTINUOUS COVER FLUSH WITH ROADWAY.
4. HIGHLY VISIBLE BARRIER WITH RETRO REFLECTIVE STRIPING.
5. BI-DIRECTIONAL STOPPING (INBOUND AND OUTBOUND VEHICLES).
6. PREFABRICATED AND PRE-ASSEMBLED UPON DELIVERY TO FACILITATE INSTALLATION.
7. ALL ELECTRIC AUTOMATED OPERATIONS WITH OPTIONAL BACKUP POWER.
8. CUSTOM CONTROL PANELS AND WIRELESS REMOTE OPERATORS.
9. THERMOSTAT CONTROLLED HEATING AND GRAVITY DRAINS.
10. UNAFFECTED BY WATER, SALT, ICE AND OTHER WEATHER.



**BARRIER1 SYSTEMS, INC.**

8015 THORNDIKE ROAD  
 GREENSBORO, NC 27409  
 (336) 617-8478 (336) 617-8471 FAX  
 mlamore@barrier1.us www.barrier1.us

*THE DRAWINGS AND INFORMATION CONTAINED HEREIN ARE PROPRIETARY AND CONFIDENTIAL AND FOR USE BY ONLY PERSONS WORKING ON PROJECT WITH BARRIER1 SYSTEMS, INC. DO NOT COPY OR REPRODUCE. ALL RIGHTS RESERVED.*

**CROWD PROTECTION  
 BARRIER SYSTEM  
 M50 P1 (K12)**

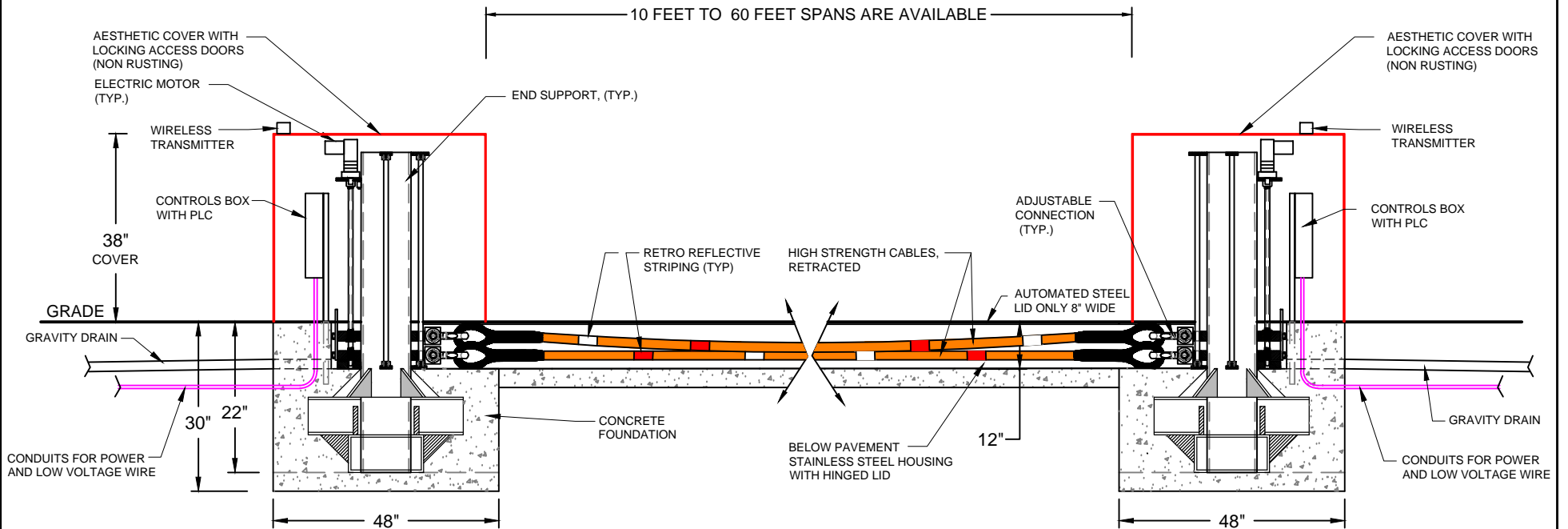
SAMPLE DRAWINGS

SHEET: 1 OF 5  
 09122017  
 SCALE: N.T.S.

**CROWD PROTECTION BARRIER - GROUND RETRACTABLE MODEL CPB-GR-1200 (AUTOMATED VEHICLE BARRIER)**

**ASTM F2656-07 M50 P1 (K12) ENGINEERED, STOPS 15,000 LB. TRUCK @ 50 MPH  
 CLEAR SPAN BARRIER LENGTHS FROM 10 FEET TO 60 FEET ACROSS ROADWAYS**

**ELEVATION VIEW - LOWERED POSITION**



**BARRIER1 SYSTEMS, INC.**

8015 THORNDIKE ROAD  
 GREENSBORO, NC 27409  
 (336) 617-8478 (336) 617-8471 FAX  
 mlamore@barrier1.us www.barrier1.us

*THE DRAWINGS AND INFORMATION CONTAINED HEREIN ARE PROPRIETARY AND CONFIDENTIAL AND FOR USE BY ONLY PERSONS WORKING ON PROJECT WITH BARRIER1 SYSTEMS, INC. DO NOT COPY OR REPRODUCE. ALL RIGHTS RESERVED.*

**RETRACTABLE CABLE PROTECTION BARRIER SYSTEM - M50 P1 (K12)**

SAMPLE DRAWINGS

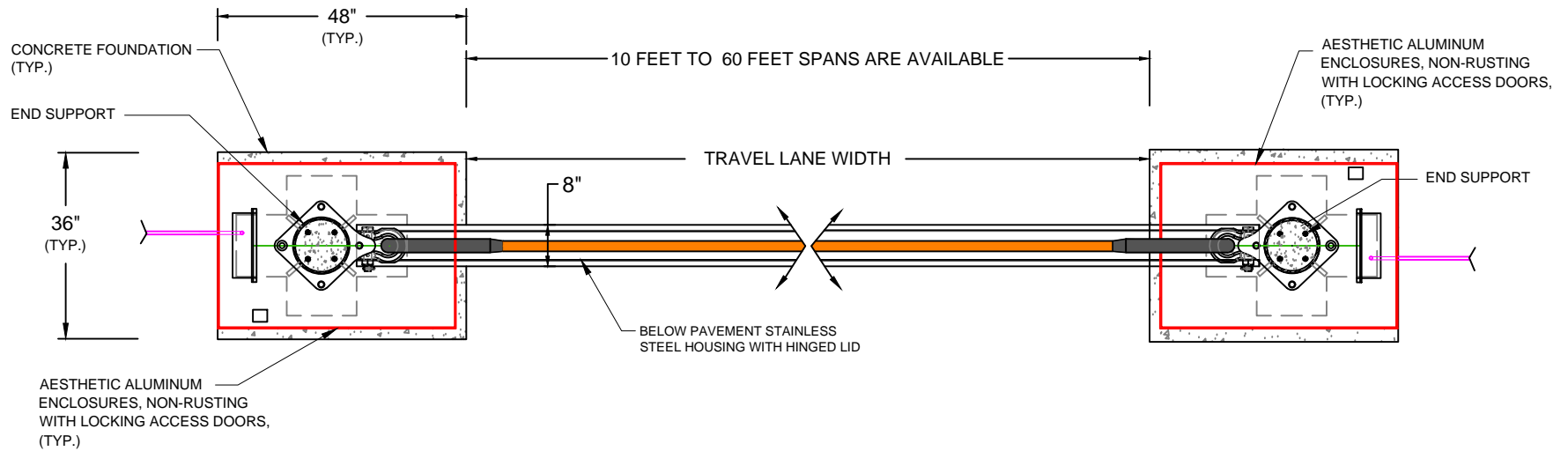
SHEET: 2 OF 5

09122017

SCALE: N.T.S.

**CROWD PROTECTION BARRIER - GROUND RETRACTABLE MODEL CPB-GR-1200 (AUTOMATED VEHICLE BARRIER)**  
**ASTM F2656-07 M50 P1 (K12) ENGINEERED, STOPS 15,000 LB. TRUCK @ 50 MPH**  
**CLEAR SPAN BARRIER LENGTHS FROM 10 FEET TO 60 FEET ACROSS ROADWAYS**

TOP VIEW



**BARRIER1 SYSTEMS, INC.**

8015 THORNDIKE ROAD  
 GREENSBORO, NC 27409  
 (336) 617-8478 (336) 617-8471 FAX  
 mlamore@barrier1.us www.barrier1.us

*THE DRAWINGS AND INFORMATION CONTAINED HEREIN ARE PROPRIETARY AND CONFIDENTIAL AND FOR USE BY ONLY PERSONS WORKING ON PROJECT WITH BARRIER1 SYSTEMS, INC. DO NOT COPY OR REPRODUCE. ALL RIGHTS RESERVED.*

**RETRACTABLE CABLE PROTECTION BARRIER SYSTEM - M50 P1 (K12)**

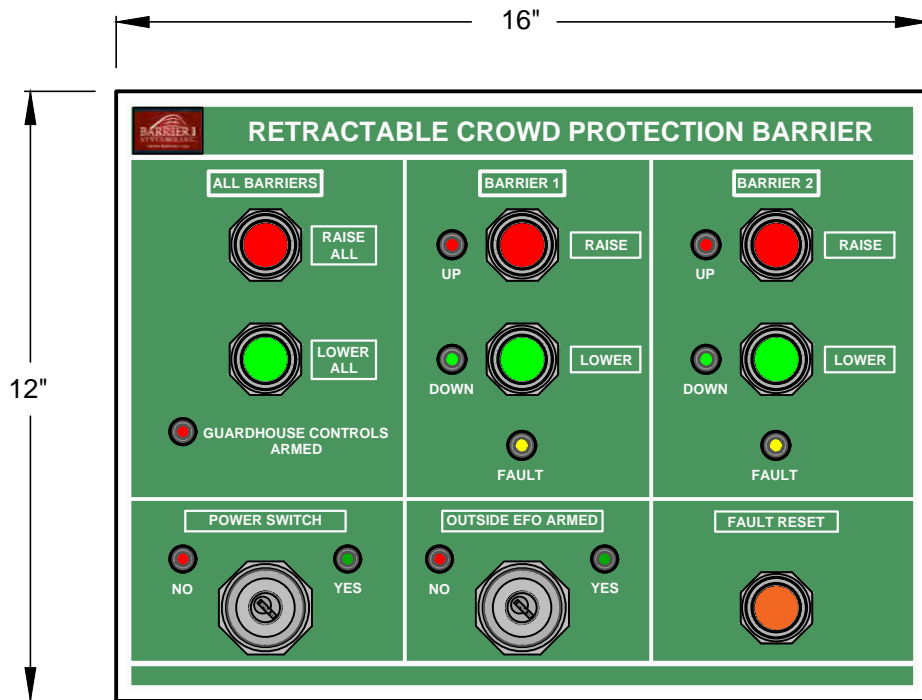
SAMPLE DRAWINGS

SHEET: 3 OF 5  
 09122017  
 SCALE: N.T.S.

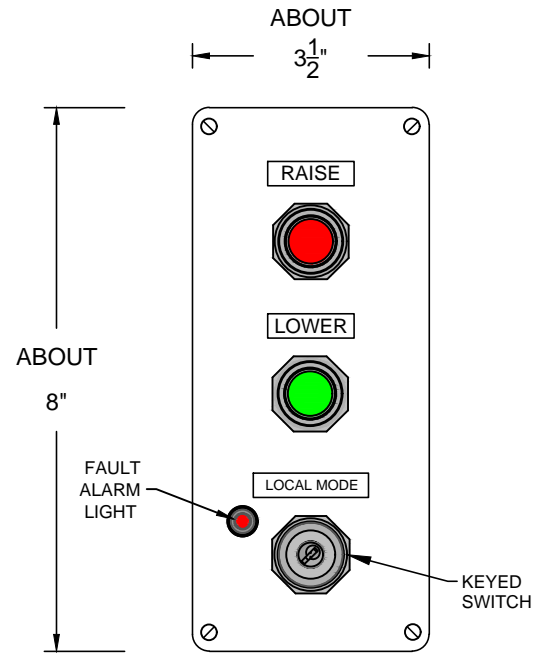
**CROWD PROTECTION BARRIER - GROUND RETRACTABLE MODEL CPB-GR-1200 (AUTOMATED VEHICLE BARRIER)**

**ASTM F2656-07 M50 P1 (K12) ENGINEERED, STOPS 15,000 LB. TRUCK @ 50 MPH  
 CLEAR SPAN BARRIER LENGTHS FROM 10 FEET TO 60 FEET ACROSS ROADWAYS**

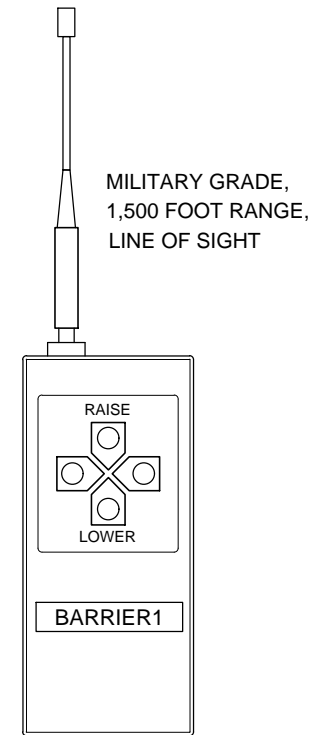
**TYPICAL CONTROLLERS**



MAIN CONTROL PANEL



LOCAL CONTROLLER (LOCKED INSIDE ENCLOSURE)



WIRELESS CONTROLLER

**NOTE:**

- CONTROL PANEL IS CUSTOMIZED TO MEET CUSTOMER NEEDS AND SECURITY REQUIREMENTS.
- CONTROL PANEL SHOWN ABOVE IS FOR TWO (2) CROWD PROTECTION BARRIER SYSTEMS.



**BARRIER1 SYSTEMS, INC.**

8015 THORNDIKE ROAD  
 GREENSBORO, NC 27409  
 (336) 617-8478 (336) 617-8471 FAX  
 miamore@barrier1.us www.barrier1.us

*THE DRAWINGS AND INFORMATION CONTAINED HEREIN ARE PROPRIETARY AND CONFIDENTIAL AND FOR USE BY ONLY PERSONS WORKING ON PROJECT WITH BARRIER1 SYSTEMS, INC. DO NOT COPY OR REPRODUCE. ALL RIGHTS RESERVED.*

**RETRACTABLE CABLE PROTECTION BARRIER SYSTEM - M50 P1 (K12)**

SAMPLE DRAWINGS

SHEET: 4 OF 5  
 DATE: 09122017  
 SCALE: N.T.S.

**CROWD PROTECTION BARRIER - GROUND RETRACTABLE MODEL CPB-GR-1200 (AUTOMATED VEHICLE BARRIER)**

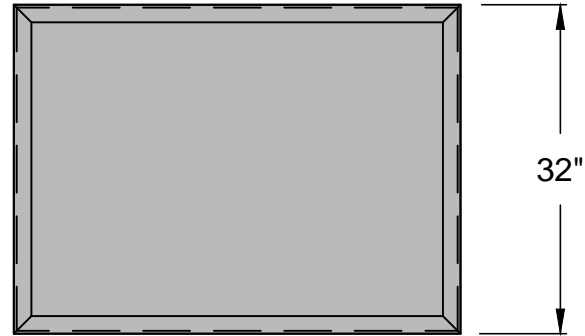
**ASTM F2656-07 M50 P1 (K12) ENGINEERED, STOPS 15,000 LB. TRUCK @ 50 MPH  
 CLEAR SPAN BARRIER LENGTHS FROM 10 FEET TO 60 FEET ACROSS ROADWAYS**

**AESTHETIC ENCLOSURES**

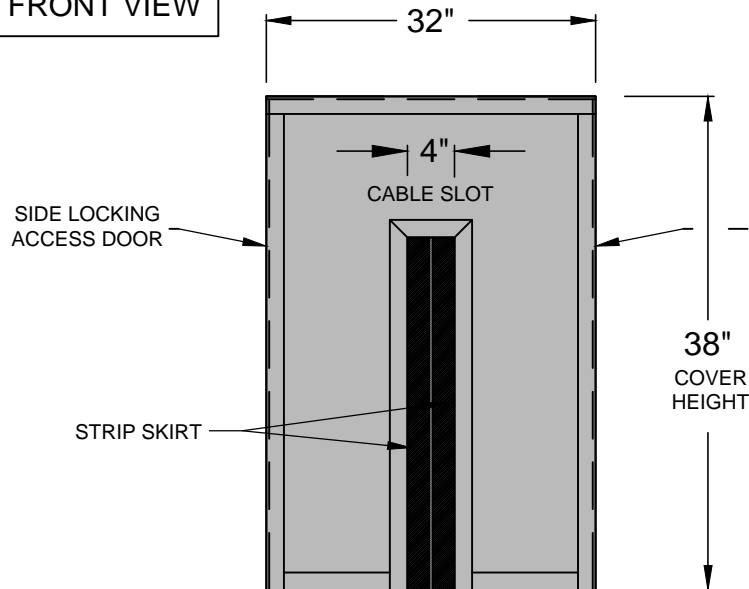
ALUMINUM NON-RUSTING

**NOTE:**  
 COLD WEATHER PACKAGE INCLUDES INSULATED ENCLOSURES, SEALS ON DOORS AND THERMOSTAT CONTROLLED SPACE HEATERS.

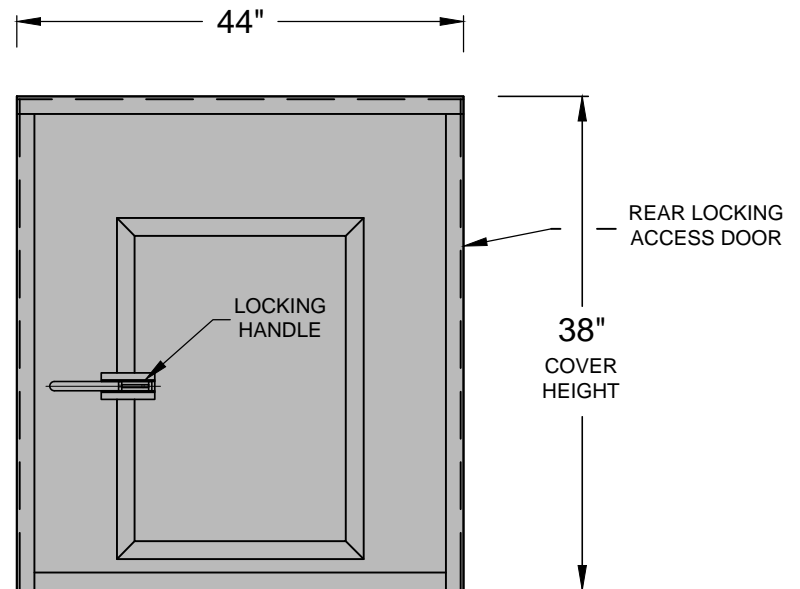
TOP VIEW



FRONT VIEW



SIDE VIEW



**BARRIER1 SYSTEMS, INC.**

8015 THORNDIKE ROAD  
 GREENSBORO, NC 27409  
 (336) 617-8478 (336) 617-8471 FAX  
 mlamore@barrier1.us www.barrier1.us

*THE DRAWINGS AND INFORMATION CONTAINED HEREIN ARE PROPRIETARY AND CONFIDENTIAL AND FOR USE BY ONLY PERSONS WORKING ON PROJECT WITH BARRIER1 SYSTEMS, INC. DO NOT COPY OR REPRODUCE. ALL RIGHTS RESERVED.*

**RETRACTABLE CABLE PROTECTION BARRIER SYSTEM - M50 P1 (K12)**

SAMPLE DRAWINGS

SHEET: 5 OF 5

09122017

SCALE: N.T.S.